

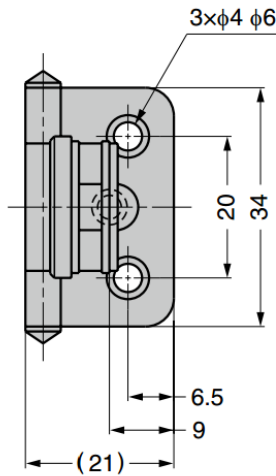
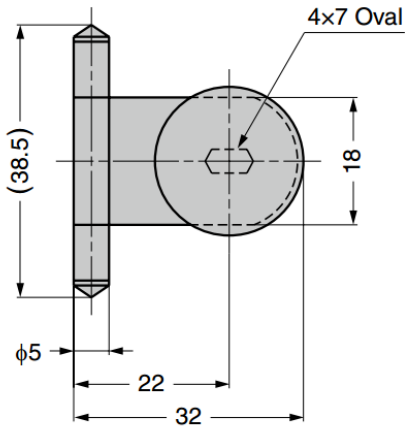
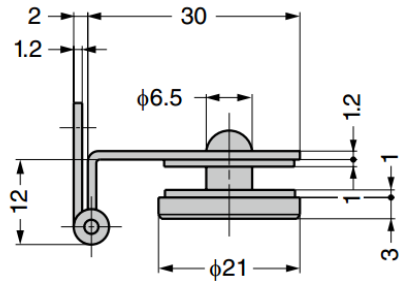
GGH34-OSS Inset Glass Door Hinge

Features

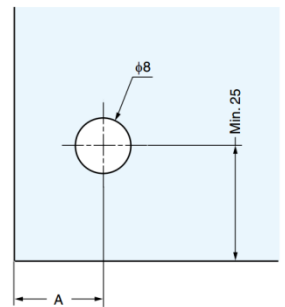
- Hinge for glass/acrylic doors
- Passed 40,000 life cycle test

Notes

- Recommended for use in pairs
- Use screw loosening prevention agent when mounting screws
- Recommended door dimensions in the below table are based on usage of two hinges for one door

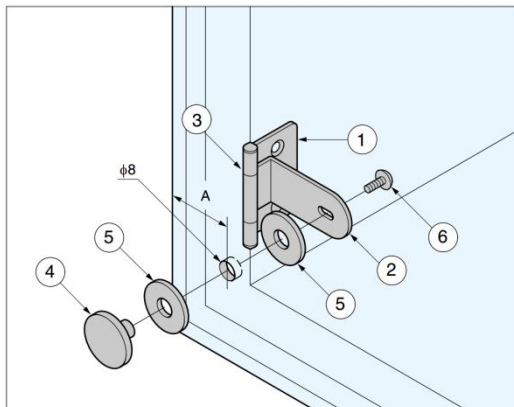


Cut Out Dimensions



Boring position changes with the glass thickness.

Glass Thickness	A
4	19
5	18
6	17



No.	Part Name	Material	Finish / Colour
①	Body	Stainless Steel (SUS304)	Plain
②	Arm		
③	Shaft	Stainless Steel	Circular Satin Anodised Silver
④	Plate	Aluminium Alloy	
⑤	Washer	PVC	
⑥	※Screw	Stainless Steel	Plain

※Truss head screw M3 x 6

Part No.	Door Width	Door Height	Glass Thickness	Load Capacity (per pair)
GGH34-OSS	Max. 450	Max. 700	4, 5, 6	49 N 5 kg